

Standard track 4 m

L93 00400 _

Technical description

Body in extruded aluminium, internally accommodates conductors encased PVC extruded in high-resistivity insulation IP20.
Tri-phase rail (L1, L2, L3), neutral (N), grounding (PE). The track can support a load of 2 kg every 200 mm with a maximum distance between the fastening points of 800mm.

Supply

16A Class I
EN 60570
230-400 V AC/50-60 Hz

Installation

Ceiling / Hanging

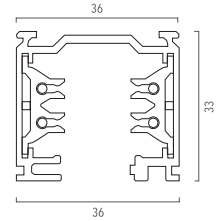
Size (mm)

3000 x 36 x 33

Colour

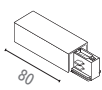
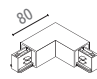
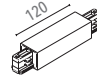
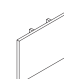

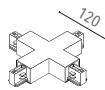
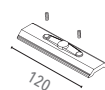
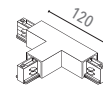
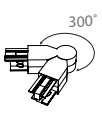


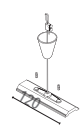
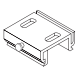
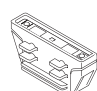
White 1 Grey 2 Black 3

  IP20



Code	Size	Colour
L93 00400 1	4000 mm	White
L93 00400 2	4000 mm	Grey
L93 00400 3	4000 mm	Black

Accessories

	Right power supply head Cod. L93 00700 _		90° joint curve - internal Cod. L93 02400 _		Linear joint Cod. L93 02000 _		Closing top Cod. L93 00600 _
	Left power supply head Cod. L93 00900 _		90° joint curve - external Cod. L93 02500 _				
	Flexible joint Cod. L93 02600 _		4-ways joint Cod. L93 02800 _		Mechanical joint Cod. L93 00500 0		3-way joint Cod. L93 02700 _
	Adjustable joint Cod. L93 04100 _		Ceiling kit Cod. L93 01900 0		Hanging kit Cod. L93 01500 _		Hanging kit Cod. L93 01600 _
	Ceiling mounting kit Cod. L93 01800 0		Retractable linear joint CC Cod. L93 02200 _				
			Retractable linear joint SC Cod. L93 02300 _				